

# Replacement Parts List

**Notes:** \*Important safety notice:

Components identified by Δ mark have special characteristics important for safety.

Furthermore, special parts which have purposes of fire-retardant (resistors), high-quality sound (capacitors), low-noise (resistors), etc. are used.

When replacing any of components, be sure to use only manufacture's specified parts shown in the parts list.

\*The parenthesized indications in the Remarks columns specify the areas. (Refer to the cover page for area.)

Parts without these indications can be used for all areas.

\*Remote Control Ass'y: Supply period for three years from termination of production.

\*The "(SF)" mark denotes the standard part.

\*-&lt;VRD&gt;: indicates parts that are supplied by Video Recorder Division.

Ref. No.	Part No.	Part Name & Description	Remarks	Ref. No.	Part No.	Part Name & Description	Remarks
		INTEGRATED CIRCUIT(S)		D453	MA29WA	DIODE	
				D501, 502	MA165	DIODE	
				D503, 504	MA4160M	DIODE	Δ
IC401	AN7062N	IC, VOLTAGE AMP.		D505	MA165	DIODE	
IC501	SVI3205B	IC, POWER AMP.	Δ	D506	1SS291TA	DIODE	
IC502	RSN6000A	IC, V-AMP		D601	MA165	DIODE	
IC721	AN78L05TA	IC, REGULATOR	Δ	D602	MA4068L	DIODE	
IC761	AN78L05TA	IC, REGULATOR	Δ	D603, 604	MA165	DIODE	
IC801, 802	UPD4027BC	IC, J-K FLIP-FLOP		D605	SLR-305VC	LED	
IC803	ON3131R	IC, OPTO-ISOLATOR		D701-704	P300DLF	DIODE	Δ
		TRANSISTOR(S)		D706	MA165	DIODE	
				D711-714	1SR35200TB	DIODE	Δ
				D721	MA165	DIODE	
Q401, 402	2SA1123RSTTA	TRANSISTOR		D731-742	SLR-305DC	LED	
Q451, 452	2SC2631RSTTA	TRANSISTOR		D752	MA4160M	DIODE	Δ
Q453, 454	2SC3311AIRTA	TRANSISTOR		D762	MA165	DIODE	
Q455, 456	2SA1309AIRTA	TRANSISTOR		D781	MA4160M	DIODE	Δ
Q501-503	2SA992EPPTA	TRANSISTOR		D782	MA165	DIODE	
Q543	2SA1309AIRTA	TRANSISTOR		D791-794	1SR35200TB	DIODE	Δ
Q601	2SC3311AIRTA	TRANSISTOR		D795, 796	MA4140M	DIODE	Δ
Q602	2SC3311AIRTA	TRANSISTOR		D797, 798	MA165	DIODE	
Q603	2SC3940AQSTA	TRANSISTOR		D801	SLR-305VC	LED	
Q604-606	2SC3311AIRTA	TRANSISTOR		D803, 804	MA165	DIODE	
Q611, 612	2SC3311AIRTA	TRANSISTOR		D806	MA165	DIODE	
Q701	2SC3311AIRTA	TRANSISTOR		D809-812	MA165	DIODE	
Q781	2SD2374PQAU	TRANSISTOR	Δ	D813, 814	MA4082MTA	DIODE	Δ
Q791	2SK330GRYTA	TRANSISTOR	Δ	D815, 816	SLR-305VC	LED	
Q792	2SJ105GRYTA	TRANSISTOR	Δ	D821	MA167	DIODE	Δ
Q793	2SC3940AQSTA	TRANSISTOR	Δ	D822-824	MA165	DIODE	
Q794	2SA1534RTA	TRANSISTOR	Δ			COIL(S)	
Q801, 802	UN4215	TRANSISTOR					
Q803-807	UN4111	TRANSISTOR		L1	SLQZ650MH49	COIL	Δ
Q808	2SA1309AIRTA	TRANSISTOR		L401, 402	ELEXT100KA9	COIL	
Q809	2SC3311AIRTA	TRANSISTOR		L403	BLO2RN1R62T2	COIL	
Q810	UN4111	TRANSISTOR		L501-504	SLQY18G-10	COIL	
Q822, 823	UN4215	TRANSISTOR		L791-797	ELEXT1R0KA9	COIL	
Q824	2SC3311AIRTA	TRANSISTOR				TRANSFORMER(S)	
Q825	UN4111	TRANSISTOR					
		DIODE(S)		T1	RTP1P5B006-W	POWER TRANSFORMER	Δ
D401, 402	MA167	DIODE		T701	RTP1J5B001-W	POWER TRANSFORMER	Δ
D403, 404	MA4036MTA	DIODE				FUSE(S)	
D405, 406	MA165	DIODE					
D451	MA165	DIODE		F1	XBA2C25TBO	FUSE, 250V, 2.5A	Δ
D452	MA4056MTA	DIODE					

Ref. No.	Part No.	Part Name & Description	Remarks				
		SWITCH(ES)					
S801	EVQ21405R	SW, POWER					
S802	EVQ21405R	SW, SPEAKER A					
S803	EVQ21405R	SW, SPEAKER B					
		CONNECTOR(S)					
CN701	RJSIA6606	CONNECTOR (6P)					
CN702, 703	RJSIA6605	CONNECTOR (5P)					
CN751-753	RJSIA1101T1	CONNECTOR (1P)					
CN761	SJS305-1	CONNECTOR (3P)					
CN771-776	RJSIA1101T1	CONNECTOR (1P)					
CN778	RJSIA1101T1	CONNECTOR (1P)					
CN802	RJSIA6603	CONNECTOR (3P)					
CN804	RJU057W007	CONNECTOR (7P)					
CN805	RJU057W004	CONNECTOR (4P)					
CN851	RJSIA6604	CONNECTOR (4P)					
CN801A	RJSIA6603	CONNECTOR (3P)					
CN801B	RJSIA6604	CONNECTOR (4P)					
CP804	RJT057W007-1	CONNECTOR (7P)					
CP805	RJT057W004-1	CONNECTOR (4P)					
		EARTH TERMINAL					
E401	SNE1004-2	GND PLATE					
E701	SNE1004-2	GND PLATE					
		FUSE HOLDER					
FC1, 2	EYF52BC	FUSE HOLDER					
		RELAY					
RL501, 502	RSY0013M-0	RELAY	△				
RL503	RSY0020M-R	RELAY					
RL701	RSY0019M-0	RELAY	△				
		JACK(S)					
JK1	SJS9236	AC INLET	△				
JK401	SJF3068-7N	JACK INPUT					
JK501	RJH4801M-1	SPEAKER TERMINAL	(E, EG)				
JK501	RJH4801M-2	SPEAKER TERMINAL	(EB)				
JK502	RJJ63TA01	HEADPHONES JACK					
JK601	RJSIA7402-1	CONNECTOR, FAN MOTOR					
JK791	RJSID0706	SOCKET (7P)					

Notes : \* Capacity values are in microfarads ( $\mu\text{F}$ ) unless specified otherwise, P=Pico-farads (pF) F=Farads (F)  
 \* Resistance values are in ohms, unless specified otherwise, 1K=1,000(OHM) , 1M=1,000k(OHM)

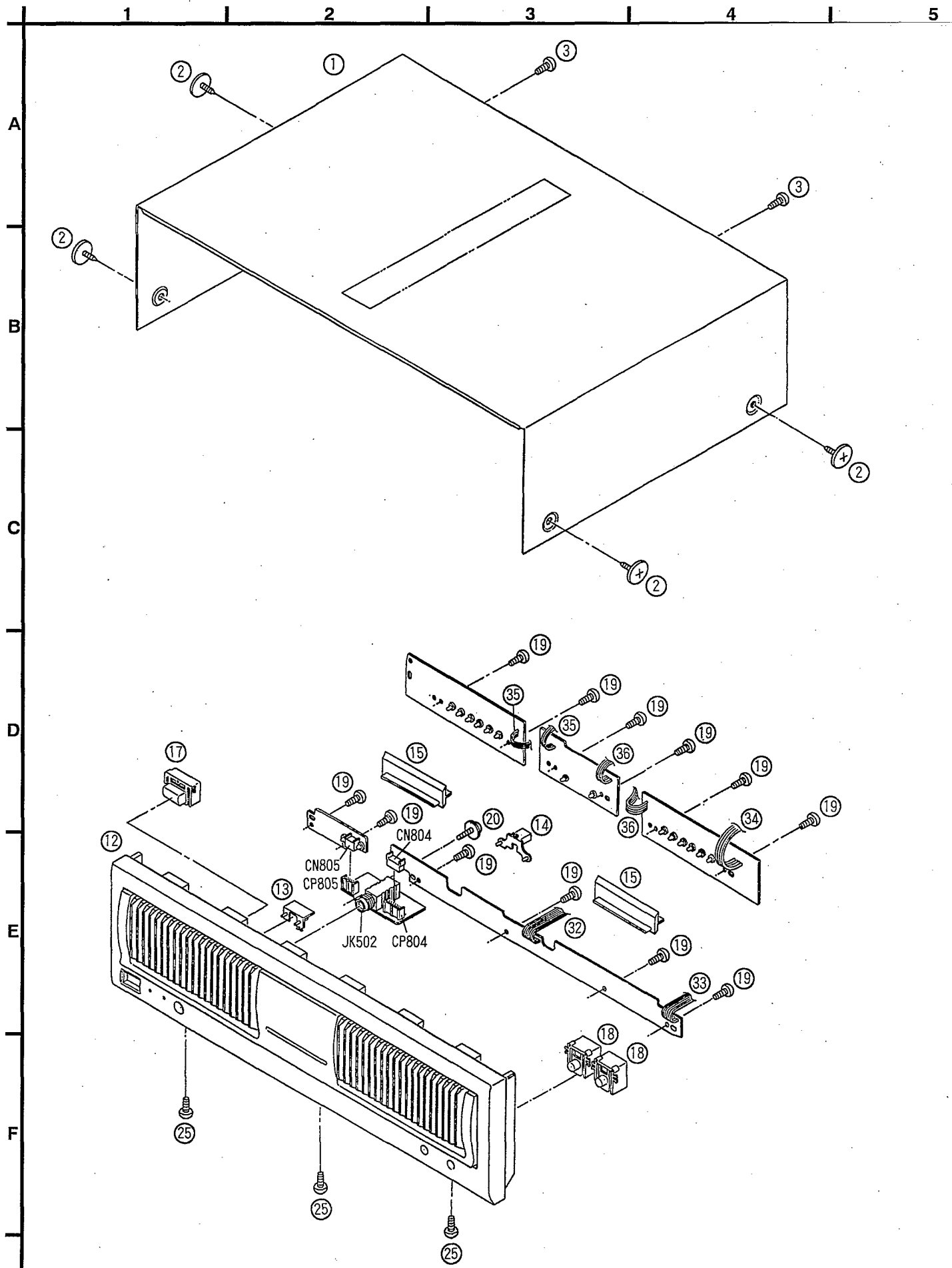
Ref. No.	Part No.	Values & Remarks	Ref. No.	Part No.	Values & Remarks	Ref. No.	Part No.	Values & Remarks
		RESISTORS	R609	ERDS2TJ332	1/4W 3.3K	C401, 402	ECA1HPXS4R7B	50V 4.7U
R401, 402	ERDAS3G122	1/4W 1.2K	R610	ERDS2TJ335T	1/4W 3.3M	C403, 404	ECKD1H471KB	50V 470P
R403, 404	ERDAS3G823T	1/4W 82K	R611	ERDS2TJ473	1/4W 47K	C405, 406	ECA1EPX470TB	25V 47U
R405, 406	ERDAS3G272T	1/4W 2.7K	R612	ERDS2TJ153	1/4W 15K	C407, 408	ECBT1H820KB5	50V 82P
R407, 408	ERDAS3G823T	1/4W 82K	R613	ERDS2TJ473	1/4W 47K	C409, 410	ECCR2H220J5	500V 22P
R411, 412	ERDAF2VJ470T	1/4W 47	R614	ERDS2TJ683	1/4W 68K	C413, 414	ECCV2H070D	500V 7P
R437	ERDS2TJ473	1/4W 47K	R615	ERDS2TJ103	1/4W 10K	C415, 416	ECBT1H102KB5	50V 1000P
R457	ERDAS3G183T	1/4W 18K	R616 $\Delta$	ERDS1FVJ220T	1/2W 22	C426	ECBT1H102KB5	50V 1000P
R459, 460	ERDAF2VJ101T	1/4W 100	R617	ERDS2TJ222	1/4W 2.2K	C427	ECBT1E223ZF	25V 0.022U
R461-464	ERDS2TJ333	1/4W 33K	R618	ERDS2TJ103	1/4W 10K	C428	ECQV1H473JM3	50V 0.047U
R465-468	ERDAF2VJ101T	1/4W 100	R621	ERDS2TJ223	1/4W 22K	C451, 452	ECKR1H333ZF5	50V 0.033U
R469	ERDAS3G103T	1/4W 10K	R622	ERDS2TJ100	1/4W 10	C453-456	ECCV2H680K	500V 68P
R470	ERDAS3G102T	1/4W 1K	R623	ERDS2TJ823T	1/4W 82K	C457-460	RCE1HKA3R3BG	50V 3.3U
R471, 472	ERDS2TJ561	1/4W 560	R701 $\Delta$	ERD25FVJ100T	1/4W 10	C461, 462	ECBT1H102KB5	50V 1000P
R491, 492	ERDAS3G823T	1/4W 82K	R702	ERDS2TJ222	1/4W 2.2K	C463-465	ECBT1H104ZF5	50V 0.1U
R501, 502	ERDS2TJ362T	1/4W 3.6K	R707, 708	ERDAF2VJ6R8T	1/4W 6.8	C491, 492	ECBT1H101KB5	50V 100P
R503, 504	ERDAF2VJ121T	1/4W 120	R721	ERDS2TJ221	1/4W 220	C501-504	ECA0JPKS101B	6.3V 100U
R505, 506	ERDAF2VJ392T	1/4W 3.9K	R731, 732	ERDS2TJ331	1/4W 330	C505, 506	ECQV1H473JM3	50V 0.047U
R507, 508	ERDAF2VJ121T	1/4W 120	R753 $\Delta$	ERDS1FVJ222T	1/2W 2.2K	C507	ECA1EM101B	25V 100U
R513-516	ERDAF2VJ100T	1/4W 10	R763	ERDS2TJ221	1/4W 220	C508	ECA1HM470B	50V 47U
R519, 520	ERX1SJ3R3E	1W 3.3	R771	ERDAF2VJ470T	1/4W 47	C509	ECBA1HN100SB	50V 10U
R521, 522 $\Delta$	ERDS1FVJ100T	1/2W 10	R772 $\Delta$	ERDS1FVJ222T	1/2W 2.2K	C511, 512	ECBT1H560J5	50V 56P
R527	ERDS2TJ223	1/4W 22K	R781 $\Delta$	ERDS1FVJ472T	1/2W 4.7K	C513-518	ECQV1H473JM3	50V 0.047U
R528	ERDS2TJ684	1/4W 680K	R782, 783 $\Delta$	ERDS1FVJ560T	1/2W 56	C519-522	ECQB1H223JF3	50V 0.022U
R529	ERDS2TJ124T	1/4W 120K	R791, 792	ERDAF2VJ1R0T	1/4W 1	C523, 524	ECBT1H102KB5	50V 1000P
R530 $\Delta$	ERDS1FVJ472T	1/2W 4.7K	R793, 794	ERDS2TJ103	1/4W 10K	C525, 526	ECBT1C272KR5	16V 2700P
R531, 532 $\Delta$	ERDS1FVJ100T	1/2W 10	R795, 796	ERDS2TJ105T	1/4W 1M	C527, 528	ECBT1H181KB5	50V 180P
R533, 534	ERDS2TJ103	1/4W 10K	R801	ERDS2TJ221	1/4W 220	C533	ECBT1C103NS5	16V 0.01U
R535	ERDS2TJ562	1/4W 5.6K	R802	ERDS2TJ562	1/4W 5.6K	C601	ECA1HKA2R2B	50V 2.2U
R536	ERDAF2VJ470T	1/4W 47	R803, 804	ERDS2TJ223	1/4W 22K	C602	ECBT1E223ZF	25V 0.022U
R537	ERDAF2VJ101T	1/4W 100	R807, 808	ERDS2TJ223	1/4W 22K	C603	RCE0JKA221BV	6.3V 220P
R544	ERDS2TJ103	1/4W 10K	R809	ERDS2TJ823T	1/4W 82K	C604	RCE1CKA100BG	16V 10U
R545	ERDS2TJ823T	1/4W 82K	R810, 811	ERDS2TJ223	1/4W 22K	C611	RCE0JKA221BV	6.3V 220P
R550, 551	ERDS2TJ222	1/4W 2.2K	R813, 814	ERDS2TJ223	1/4W 22K	C701, 702 $\Delta$	ECESX56822UM	56V 8200U
R555-558	ERG1SJ681E	1W 680	R815, 816	ERDS2TJ391	1/4W 390	C707, 708	ECA1JPXH560B	63V 56U
R559	ERG1SJ152E	1W 1.5K	R817	ERDS2TJ103	1/4W 10K	C709, 710	ECQE2334KFW	250V 0.33U
R560	ERG1SJ182E	1W 1.8K	R821	ERDS2TJ103	1/4W 10K	C711	ECQE2104KF3	250V 0.1U
R561, 562	ERG1SJ151E	1W 150	R822	ERDS2TJ222	1/4W 2.2K	C712	ECBT1C103NS5	16V 0.01U
R563, 564	ERG1SJ181E	1W 180	R823	ERDS2TJ562	1/4W 5.6K	C713	ECKR1H103ZF5	50V 0.01U
R565-570	ERDS2TJ223	1/4W 22K	R824	ERDS2TJ154	1/4W 150K	C714 $\Delta$	ECA1EM102B	25V 1000U
R577, 578	ERDS2TJ682T	1/4W 6.8K	R825	ERDS2TJ223	1/4W 22K	C715, 716	ECBT1C103NS5	16V 0.01U
R579	ERDS2TJ471	1/4W 470	R826	ERDS2TJ102	1/4W 1K	C721	ECA1EKA100B	25V 10U
R601-604	ERDS2TJ223	1/4W 22K	R827	ERDS2TJ223	1/4W 22K	C722	RCE1CKA100BG	16V 10U
R605	ERDS2TJ473	1/4W 47K	R854	ERDS2TJ391	1/4W 390	C723	ECA0JM222B	6.3V 2200P
R606	ERDS2TJ104	1/4W 100K	R931, 932	ERG1SJ271E	1W 270	C751 $\Delta$	ECKWNS102MBM	500V 1000P
R607	ERDS2TJ103	1/4W 10K	R933 $\Delta$	ERDS1FVJ101T	1/2W 100	C762	ECA1EKA100B	25V 10U
R608	ERDS2TJ223	1/4W 22K			CAPACITORS	C763	RCE1CKA100BG	16V 10U
						C764	ECA0JM222B	6.3V 2200P
						C777	ECA1JPX470TB	63V 47U

Ref. No.	Part No.	Values & Remarks	Ref. No.	Part No.	Values & Remarks	Ref. No.	Part No.	Values & Remarks
C778	ECA1EPX470TB	25V 47U	C795-798	ECA1EPXS470B	25V 47U	C805	RCE1CKA100BG	16V 10U
C781	ECBT1H102KB5	50V 1000P	C799	ECKR2H103ZU	500V 0.01U	C807	RCE1CKA100BG	16V 10U
C782, 783	ECEA1EKA100B	25V 10U	C801	ECBT1H104ZF5	50V 0.1U	C808-810	ECBT1H104ZF5	50V 0.1U
C791, 792△	ECA1VPT102ZE	35V 1000P	C802	RCE1CKA100BG	16V 10U	C821 △	ECEA1EKA100B	25V 10U
C793, 794	ECEA1HBZ4R7B	50V 4.7U	C804	ECBT1H104ZF5	50V 0.1U	C855	ECBT1C103NS5	16V 0.01U

**Note:** The reference number SA represent the grease and tool used for this unit.

Ref. No.	Part No.	Part Name & Description	Remarks	Ref. No.	Part No.	Part Name & Description	Remarks
		CABINET PARTS					
1	RKM0219F-K	CABINET		34	RWJ1804130KX	FLAT CABLE (4P) (W851)	
2	SNE2129-1	SCREW		35	RWJ1803100KK	FLAT CABLE (3P) (W852)	
3	XTBS3+8JFZ1	SCREW		36	RWJ1804100KX	FLAT CABLE (4P) (W853)	
4	REMO020-1	FAN ASS'Y		38	RMG0332-K	RUBBER	
4-1	MDN-4RB4MRC	FAN MOTOR				PACKING MATERIALS	
4-2	RMQ0208-K	FAN MOTOR COVER		P1	RPG2622	PACKING CASE	(E, EG)
4-3	RMQ0209-K	FAN CASE		P1	RPG2623	PACKING CASE	(EB)
4-4	RMQ0212-K	FAN TERMINAL		P2	RPQ0573	SPACER	
4-5	SHE232-1	FAN		P3	RPQ0553	SPACER	
4-6	SUS271	SPRING		P4	RPG2618	PACKING CASE	
5	RGR0227A-A	REAR PANEL	(E, EG)	P5	RPG2617	PACKING CASE (SU-C800U)	
5	RGR0227B-A1	REAR PANEL	(EB)	P6	RPN0752	PAD	
6	RKA0053-A	FOOT		P7	RPN0917	PAD (SU-C800U)	
7	RKQ0089	P. C. B. SUPPORT		P8	SPP730	PROTECTION COVER	
8	RMC0158	TRANSISTOR HOLDER		P9	SPP756	PROTECTION COVER (SU-C800U)	
9	RMK0200-3	BOTTOM SHASSIS		P10	RPQ0164	PAD	
10	RMN0217	HOLDER		P11	RPF0139	PROTECTION COVER	
11	RMZ0354	COVER		P12	RPH0032	MIRROR SHEET	(EB)
12	RFKGEA800SEK	FRONT PANEL ASS'Y				ACCESSORIES	
13	RGLO301-Q	PANEL LIGHT A		A1	RAK-SU180WH	REMOTE CONTROL TRANSMITTER	
14	RGLO302-Q	PANEL LIGHT B		A1-1	RKK0057-K	BATTERY COVER	
15	RGLO303-Q	PANEL LIGHT C		A2	RQA0013	WARRANTY CARD	
16	XTW3+15T	SCREW		A3	RQCB0169	SERVICE CENTER LIST	
17	RGU1270-K	BUTTON, POWER		A4	RFKSEA800SEK	INSTRUCTION MANUAL	(E)
18	RGU1271-K	BUTTON, SPEAKER		A4	RQT3100-E	INSTRUCTION MANUAL	(EG)
19	RHD26017	SCREW		A4	RQT3101-B	INSTRUCTION MANUAL	(EB)
20	RHD26018	SCREW		A5	RJA0019-2K	AC POWER SUPPLY CORD	△ (SF) (E, EG)
22	SHR8006	SPACER		A5	VJA0733	AC POWER SUPPLY CORD	△ (SF) <VRD> (EB)
23	SHR9112	SPACER		A6	SJP2276	PIN CORD	
24	SHR9814	CLAMPER		A7	RJL60001B10	AMP. CONNECTION CABLE	
25	XTBS3+8JFZ1	SCREW				GREASE OR JIG/TOOL	
26	XTB3+20JFZ	SCREW					
27	XTB3+6G	SCREW		SA1	RFKX0002	COMPOUND GREASE	
28	XTB3+8JFZ	SCREW					
29	RWJ3906440QQ	FLAT CABLE (6P) (W701)					
30	RWJ1805480XX	FLAT CABLE (5P) (W702)					
31	RWJ3905390QQ	FLAT CABLE (5P) (W703)					
32	RWJ1807220KX	FLAT CABLE (7P) (W801)					
33	RWJ1803090KX	FLAT CABLE (3P) (W802)					

# Cabinet Parts Location



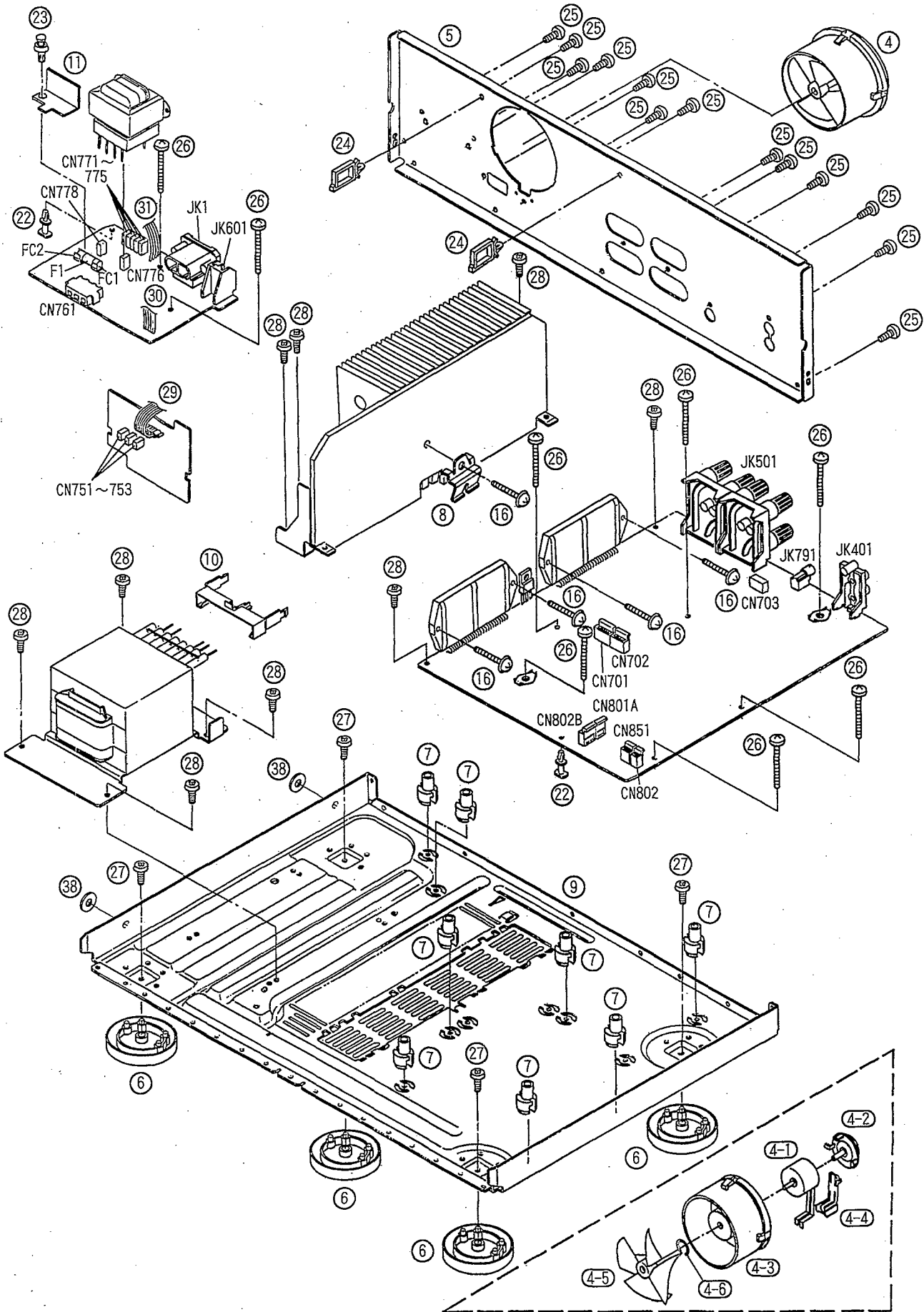
6

7

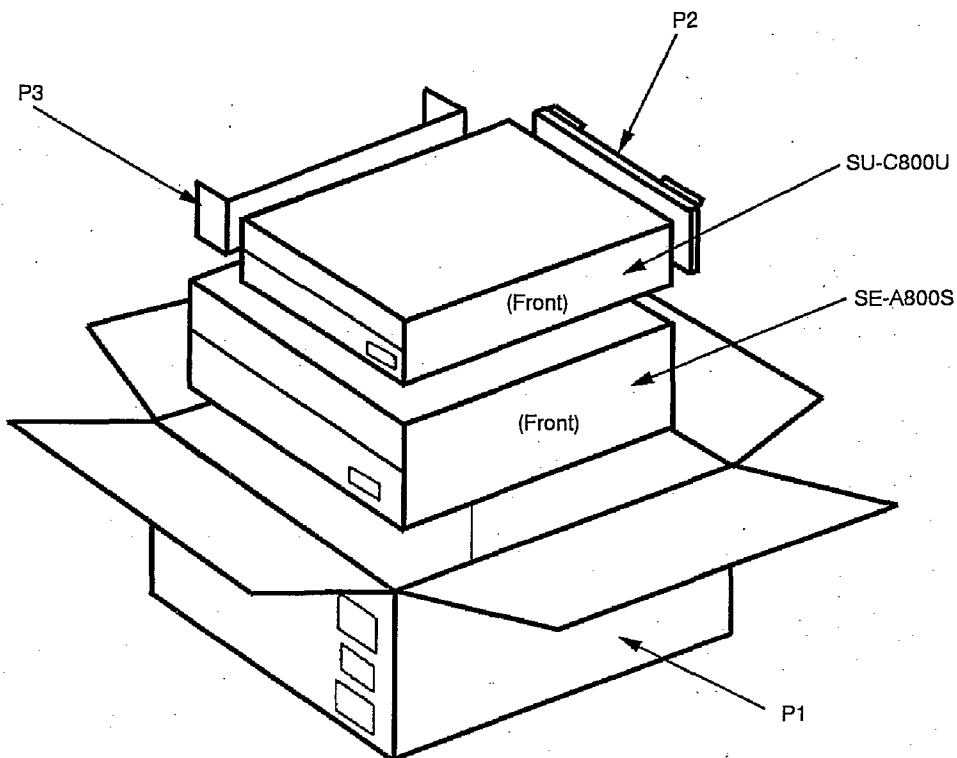
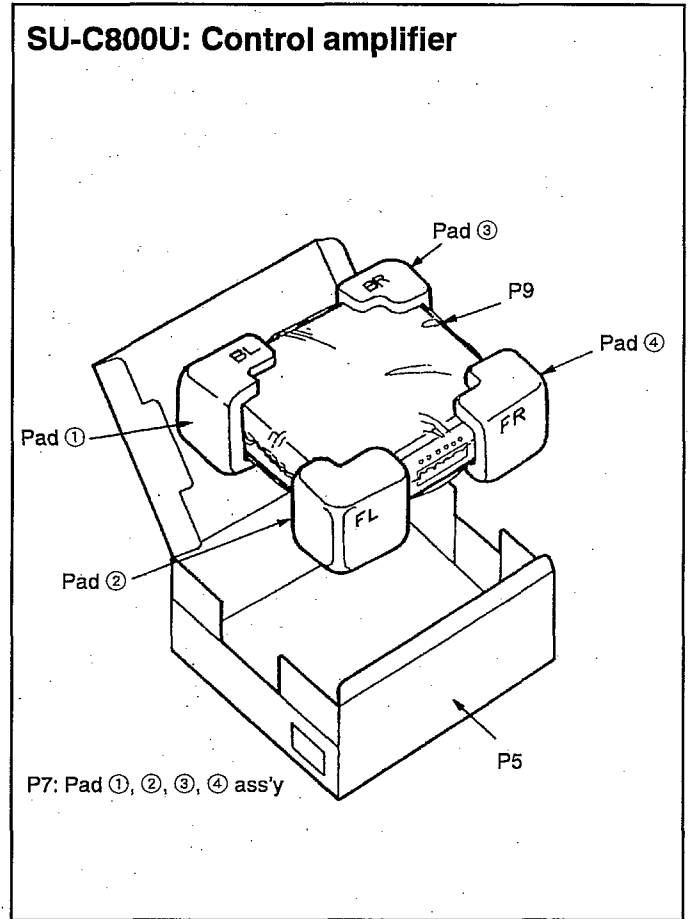
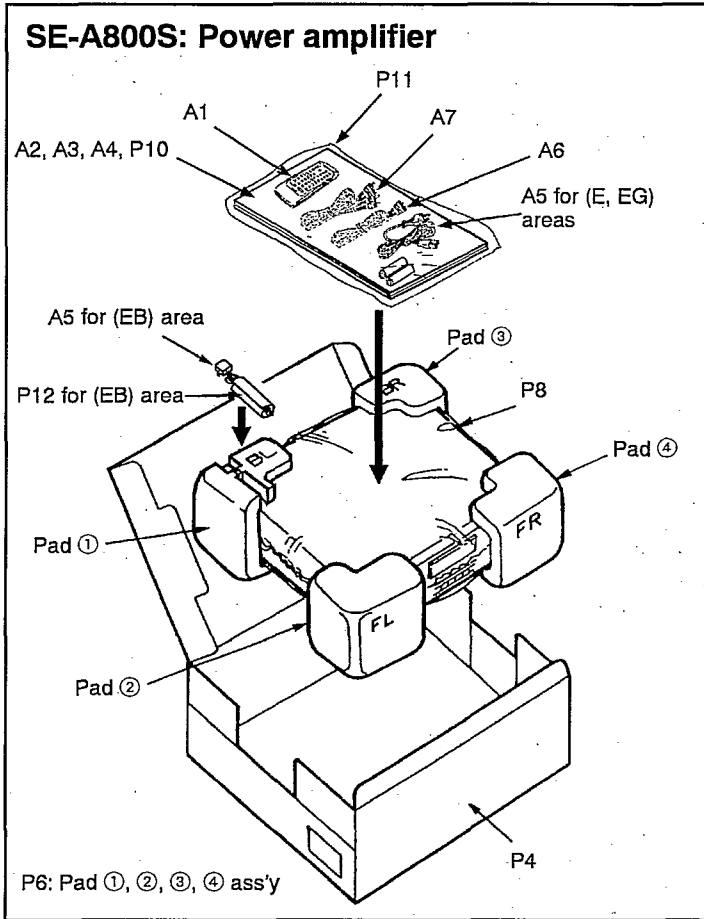
8

9

10



■ Packaging



1067